

QPS2-3000-6000-R

SPDT, 3~6GHz, Reflective

Features:

- * Low Insertion Loss
- * High Isolation

Applications:

- * Wireless
- * Transmitter
- * Laboratory Test
- * Radar

Electrical

Frequency:	3~6GHz
Insertion Loss:	2.2dB max.
Isolation:	30dB min.
VSWR:	2 max.
Input Power:	0.5W max.
Voltage:	-5V, +5V DC
Current:	50mA, 50mA typ.
On/Off Delay:	200nS max.
Control:	TTL High - 1 TTL Low/NC - 0

Mechanical

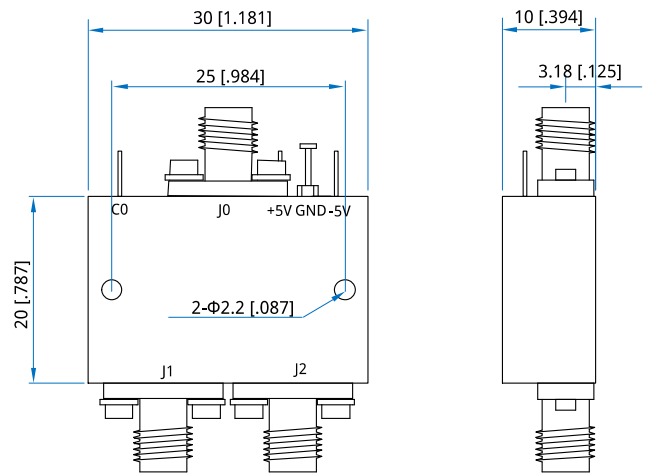
Size ^{*1} :	30*20*10mm 1.181*0.787*0.394in
RF Connectors:	SMA Female
Power Supply Connectors:	Feed Through/Terminal Post
Housing Material:	Aluminum
Mounting:	2-Φ2.2mm through-hole

[1] Exclude connectors.

Environmental

Operating Temperature:	-20~+50°C
Non-operating Temperature:	-55~+85°C

Outline Drawings



Unit: mm [in]

Tolerance: ±0.2mm [±0.008in]

Control True Table

Ctrl	Connection
0	J0 - J2 On, J0 - J1 Off
1	J0 - J1 On, J0 - J2 Off

How To Order

QPS2-3000-6000-R

Customization is available upon request.